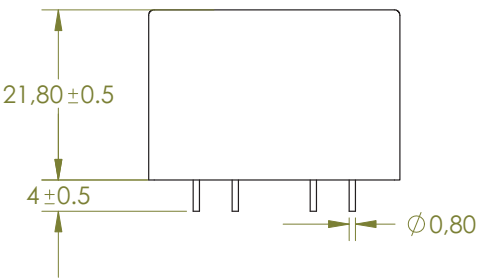
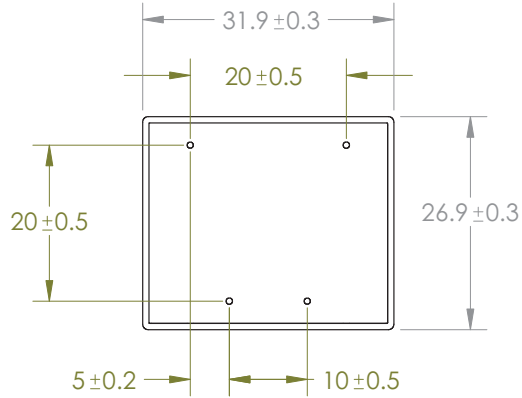


8 7 6 5 4 3 2 1

D
C
B
A



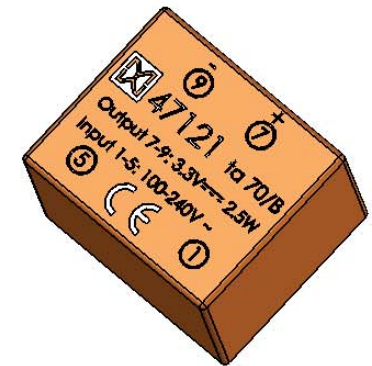
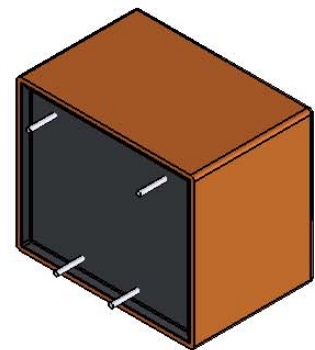
ONE OUPUT REGULATED SERIES	
MAIN INPUT VOLTAGE	100 up to 240VAC
INPUT VOLTAGE LIMITS	85 up to 265VAC
FREQUENCY	47 up to 440Hz
OUTPUT VOLTAGE	See table
POWER	See table
AMBIENT TEMPERATURE	See table
TEMPERATURE CLASS	Class B (130°C)
STORAGE TEMPERATURE	-40°C up to 85°C
OUTPUT VOLTAGE ACCURACY (100% LOAD)	± 2%
LINE OUTPUT VOLTAGE VARIATION	± 3%
LOAD OUPUT VOLTAGE VARIATION	± 0,5%
NO LOAD INPUT POWER	< 200mWatts
INPUT TO OUTPUT DIELECTRIC STRENGHT	4KVAC

INCORPORATED FUSE RESISTOR INPUT PROTECTION
SHORT CIRCUIT PROTECTION WHEN FAULT CONDITION
AUTOMATIC RESTART WHEN FAULT CONDITION REMOVED
AUTOMATIC THERMAL SHUTDOWN

APPROVALS	
EN61558-1	
EN61558-2-16	
EN60335	
EN60925-2-11	
UL60950 (UL+CUL)	
CE	

P/N	Output Voltage	Power	Efficiency %	Ambient (ta)
47121	3,3VDC	2,5W	65%	70°C

EMC CERTIFICATION	
EMISSION	
EN55022	
EN55014-1	
IMMUNITY	
EN55024	
EN55014-2	
IEC61000-4-4	
IEC61000-4-5	



PROPRIETARY AND CONFIDENTIAL
 THE INFORMATION CONTAINED IN THIS DRAWING IS THE SOLE PROPERTY OF MYRRA SAS. ANY REPRODUCTION IN PART OR AS A WHOLE WITHOUT THE WRITTEN PERMISSION OF MYRRA SAS IS PROHIBITED.

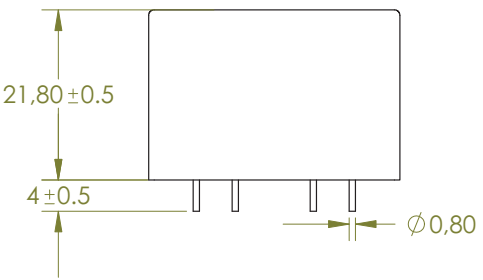
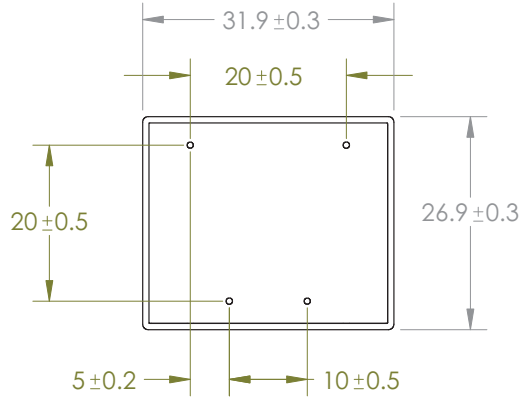
UNLESS OTHERWISE SPECIFIED:		NAME	DATE
DIMENSIONS ARE IN MM		DRAWN	JPM 14/09/12
TOLERANCES:		CHECKED	
FRACTIONAL ±		ENG APPR.	
ANGULAR: MACH ± BEND ±		MFG APPR.	
TWO PLACE DECIMAL ±		Q.A.	
THREE PLACE DECIMAL ±		COMMENTS:	
INTERPRET GEOMETRIC TOLERANCING PER:			
MATERIAL			
FINISH			
NEXT ASSY	USED ON		
APPLICATION	DO NOT SCALE DRAWING		

MYRRA SAS		
TITLE: One Output Regulated 47121 data sheet		
SIZE	DWG. NO.	REV
B	47121	
SCALE: 1:1	WEIGHT:	SHEET 1 OF 1

8 7 6 5 4 3 2 1

8 7 6 5 4 3 2 1

D
C
B
A



ONE OUPUT REGULATED SERIES	
MAIN INPUT VOLTAGE	100 up to 240VAC
INPUT VOLTAGE LIMITS	85 up to 265VAC
FREQUENCY	47 up to 440Hz
OUTPUT VOLTAGE	See table
POWER	See table
AMBIENT TEMPERATURE	See table
TEMPERATURE CLASS	Class B (130°C)
STORAGE TEMPERATURE	-40°C up to 85°C
OUTPUT VOLTAGE ACCURACY (100% LOAD)	± 2%
LINE OUTPUT VOLTAGE VARIATION	± 3%
LOAD OUPUT VOLTAGE VARIATION	± 0,5%
NO LOAD INPUT POWER	< 200mWatts
INPUT TO OUTPUT DIELECTRIC STRENGHT	4KVAC

INCORPORATED FUSE RESISTOR INPUT PROTECTION
SHORT CIRCUIT PROTECTION WHEN FAULT CONDITION
AUTOMATIC RESTART WHEN FAULT CONDITION REMOVED
AUTOMATIC THERMAL SHUTDOWN

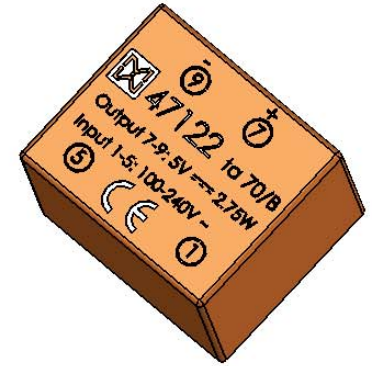
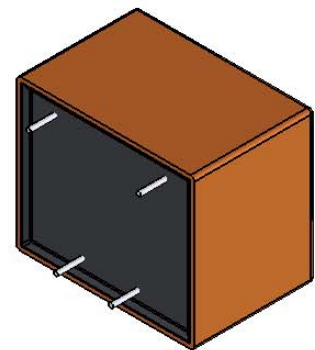
APPROVALS

EN61558-1
EN61558-2-16
EN60335
EN60925-2-11
UL60950 (UL+CUL)
CE

EMC CERTIFICATION

EMISSION	
EN55022	
EN55014-1	
IMMUNITY	
EN55024	
EN55014-2	
IEC61000-4-4	
IEC61000-4-5	

P/N	Output Voltage	Power	Efficiency %	Ambient (ta)
47122	5VDC	2,75W	68%	70°C

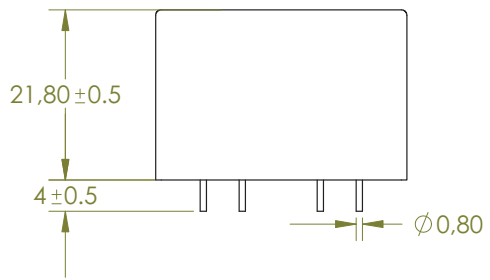
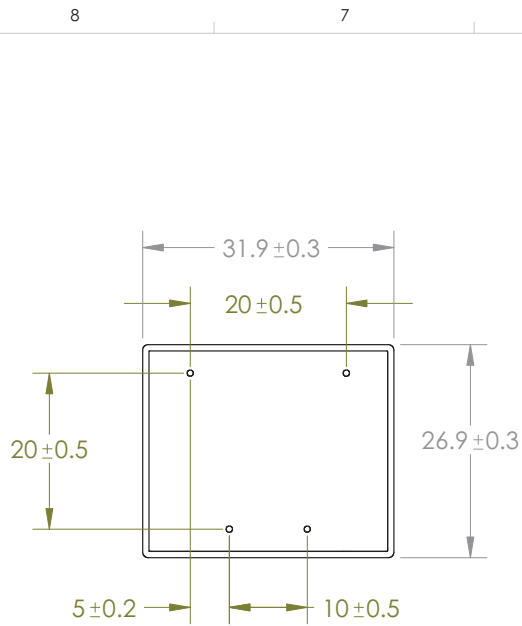


PROPRIETARY AND CONFIDENTIAL
 THE INFORMATION CONTAINED IN THIS DRAWING IS THE SOLE PROPERTY OF MYRRA SAS. ANY REPRODUCTION IN PART OR AS A WHOLE WITHOUT THE WRITTEN PERMISSION OF MYRRA SAS IS PROHIBITED.

UNLESS OTHERWISE SPECIFIED:		NAME	DATE
DIMENSIONS ARE IN MM		DRAWN	JPM 14/09/12
TOLERANCES:		CHECKED	
FRACTIONAL ±		ENG APPR.	
ANGULAR: MACH ± BEND ±		MFG APPR.	
TWO PLACE DECIMAL ±		Q.A.	
THREE PLACE DECIMAL ±		COMMENTS:	
INTERPRET GEOMETRIC TOLERANCING PER:			
MATERIAL			
FINISH			
NEXT ASSY	USED ON		
APPLICATION	DO NOT SCALE DRAWING		

MYRRA SAS		
TITLE: One Output Regulated 47122 data sheet		
SIZE	DWG. NO.	REV
B	47122	
SCALE: 1:1	WEIGHT:	SHEET 1 OF 1

8 7 6 5 4 3 2 1



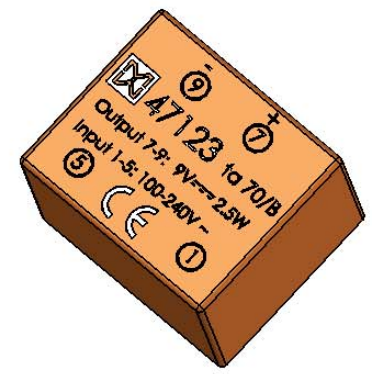
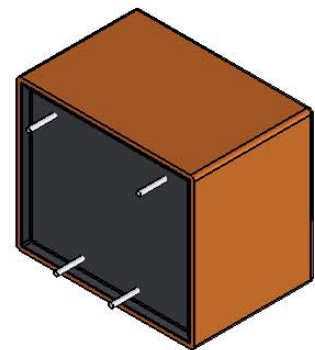
ONE OUTPUT REGULATED SERIES	
MAIN INPUT VOLTAGE	100 up to 240VAC
INPUT VOLTAGE LIMITS	85 up to 265VAC
FREQUENCY	47 up to 440Hz
OUTPUT VOLTAGE	See table
POWER	See table
AMBIENT TEMPERATURE	See table
TEMPERATURE CLASS	Class B (130°C)
STORAGE TEMPERATURE	-40°C up to 85°C
OUTPUT VOLTAGE ACCURACY (100% LOAD)	± 2%
LINE OUTPUT VOLTAGE VARIATION	± 3%
LOAD OUTPUT VOLTAGE VARIATION	± 0,5%
NO LOAD INPUT POWER	< 200mWatts
INPUT TO OUTPUT DIELECTRIC STRENGHT	4KVAC

INCORPORATED FUSE RESISTOR INPUT PROTECTION
SHORT CIRCUIT PROTECTION WHEN FAULT CONDITION
AUTOMATIC RESTART WHEN FAULT CONDITION REMOVED
AUTOMATIC THERMAL SHUTDOWN

APPROVALS	
EN61558-1	
EN61558-2-16	
EN60335	
EN60925-2-11	
UL60950 (UL+CUL)	
CE	

P/N	Output Voltage	Power	Efficiency %	Ambient (ta)
47123	9VDC	2,5W	72%	70°C

EMC CERTIFICATION	
EMISSION	
EN55022	
EN55014-1	
IMMUNITY	
EN55024	
EN55014-2	
IEC61000-4-4	
IEC61000-4-5	



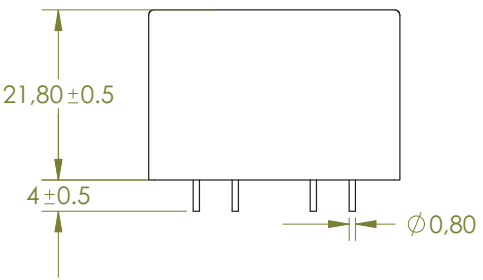
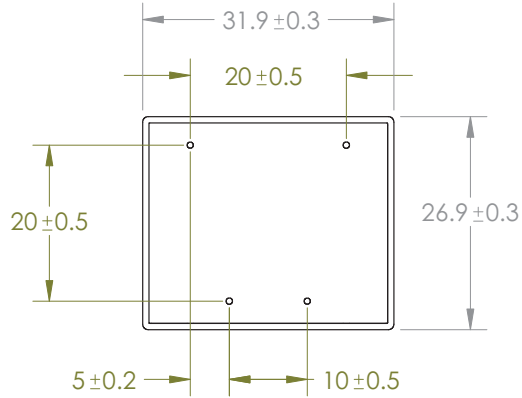
PROPRIETARY AND CONFIDENTIAL
 THE INFORMATION CONTAINED IN THIS DRAWING IS THE SOLE PROPERTY OF MYRRA SAS. ANY REPRODUCTION IN PART OR AS A WHOLE WITHOUT THE WRITTEN PERMISSION OF MYRRA SAS IS PROHIBITED.

UNLESS OTHERWISE SPECIFIED:		NAME	DATE
DIMENSIONS ARE IN MM		DRAWN	JPM 14/09/12
TOLERANCES:		CHECKED	
FRACTIONAL ±		ENG APPR.	
ANGULAR: MACH ± BEND ±		MFG APPR.	
TWO PLACE DECIMAL ±		Q.A.	
THREE PLACE DECIMAL ±		COMMENTS:	
INTERPRET GEOMETRIC TOLERANCING PER:			
MATERIAL			
FINISH			
NEXT ASSY	USED ON		
APPLICATION	DO NOT SCALE DRAWING		

MYRRA SAS			
TITLE: One Output Regulated 47123 data sheet			
SIZE	DWG. NO.	REV	
B	47123		
SCALE: 1:1	WEIGHT:	SHEET 1 OF 1	

8 7 6 5 4 3 2 1

D
C
B
A



ONE OUPUT REGULATED SERIES	
MAIN INPUT VOLTAGE	100 up to 240VAC
INPUT VOLTAGE LIMITS	85 up to 265VAC
FREQUENCY	47 up to 440Hz
OUTPUT VOLTAGE	See table
POWER	See table
AMBIENT TEMPERATURE	See table
TEMPERATURE CLASS	Class B (130°C)
STORAGE TEMPERATURE	-40°C up to 85°C
OUTPUT VOLTAGE ACCURACY (100% LOAD)	± 2%
LINE OUTPUT VOLTAGE VARIATION	± 3%
LOAD OUPUT VOLTAGE VARIATION	± 0,5%
NO LOAD INPUT POWER	< 200mWatts
INPUT TO OUTPUT DIELECTRIC STRENGHT	4KVAC

INCORPORATED FUSE RESISTOR INPUT PROTECTION
SHORT CIRCUIT PROTECTION WHEN FAULT CONDITION
AUTOMATIC RESTART WHEN FAULT CONDITION REMOVED
AUTOMATIC THERMAL SHUTDOWN

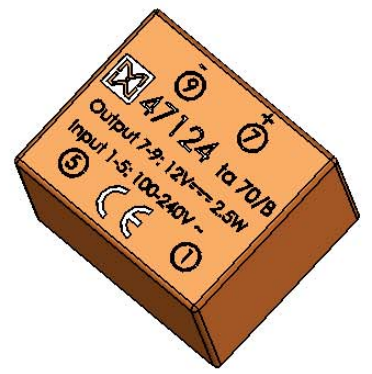
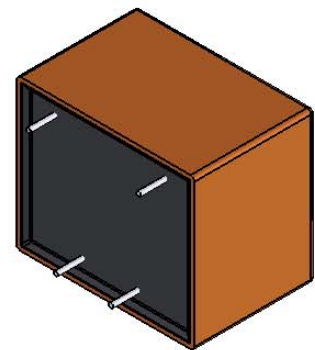
APPROVALS

EN61558-1
EN61558-2-16
EN60335
EN60925-2-11
UL60950 (UL+CUL)
CE

EMC CERTIFICATION

EMISSION	
EN55022	
EN55014-1	
IMMUNITY	
EN55024	
EN55014-2	
IEC61000-4-4	
IEC61000-4-5	

P/N	Output Voltage	Power	Efficiency %	Ambient (ta)
47124	12VDC	2,5W	74%	70°C

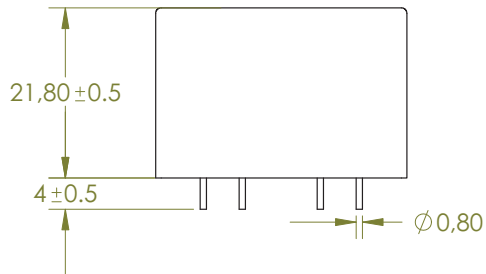
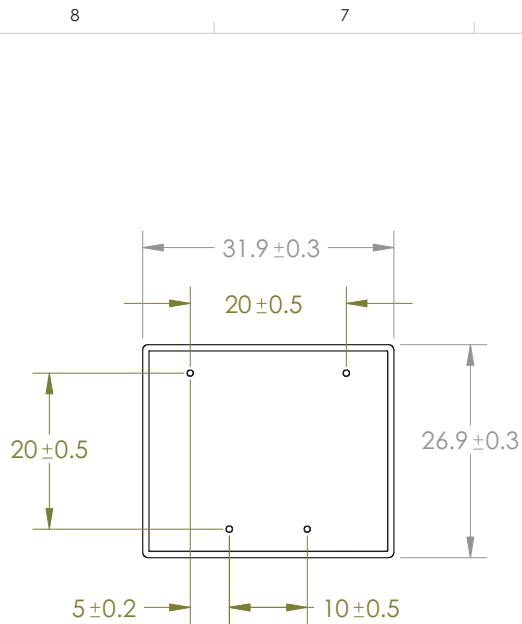


PROPRIETARY AND CONFIDENTIAL
 THE INFORMATION CONTAINED IN THIS DRAWING IS THE SOLE PROPERTY OF MYRRA SAS. ANY REPRODUCTION IN PART OR AS A WHOLE WITHOUT THE WRITTEN PERMISSION OF MYRRA SAS IS PROHIBITED.

UNLESS OTHERWISE SPECIFIED:		NAME	DATE
DIMENSIONS ARE IN MM		DRAWN	JPM 14/09/12
TOLERANCES:		CHECKED	
FRACTIONAL ±		ENG APPR.	
ANGULAR: MACH ± BEND ±		MFG APPR.	
TWO PLACE DECIMAL ±		Q.A.	
THREE PLACE DECIMAL ±		COMMENTS:	
INTERPRET GEOMETRIC TOLERANCING PER:			
MATERIAL			
FINISH			
NEXT ASSY	USED ON		
APPLICATION	DO NOT SCALE DRAWING		

MYRRA SAS		
TITLE:		
One Output Regulated 47124 data sheet		
SIZE	DWG. NO.	REV
B	47124	
SCALE: 1:1	WEIGHT:	SHEET 1 OF 1

8 7 6 5 4 3 2 1



ONE OUPUT REGULATED SERIES	
MAIN INPUT VOLTAGE	100 up to 240VAC
INPUT VOLTAGE LIMITS	85 up to 265VAC
FREQUENCY	47 up to 440Hz
OUTPUT VOLTAGE	See table
POWER	See table
AMBIENT TEMPERATURE	See table
TEMPERATURE CLASS	Class B (130°C)
STORAGE TEMPERATURE	-40°C up to 85°C
OUTPUT VOLTAGE ACCURACY (100% LOAD)	± 2%
LINE OUTPUT VOLTAGE VARIATION	± 3%
LOAD OUPUT VOLTAGE VARIATION	± 0,5%
NO LOAD INPUT POWER	< 200mWatts
INPUT TO OUTPUT DIELECTRIC STRENGHT	4KVAC

INCORPORATED FUSE RESISTOR INPUT PROTECTION
SHORT CIRCUIT PROTECTION WHEN FAULT CONDITION
AUTOMATIC RESTART WHEN FAULT CONDITION REMOVED
AUTOMATIC THERMAL SHUTDOWN

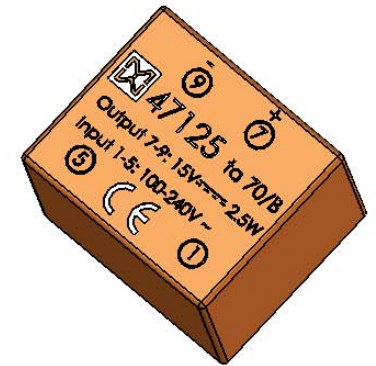
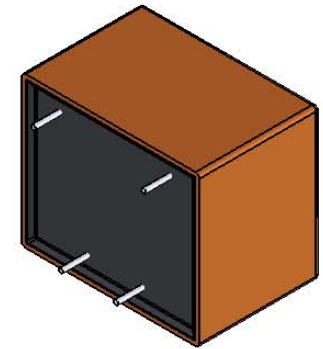
APPROVALS

EN61558-1
EN61558-2-16
EN60335
EN60925-2-11
UL60950 (UL+CUL)
CE

EMC CERTIFICATION

EMISSION
EN55022
EN55014-1
IMMUNITY
EN55024
EN55014-2
IEC61000-4-4
IEC61000-4-5

P/N	Output Voltage	Power	Efficiency %	Ambient (ta)
47125	15VDC	2,5W	75%	70°C

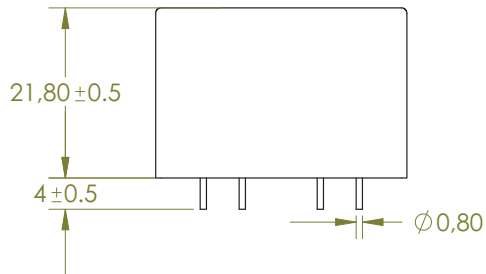
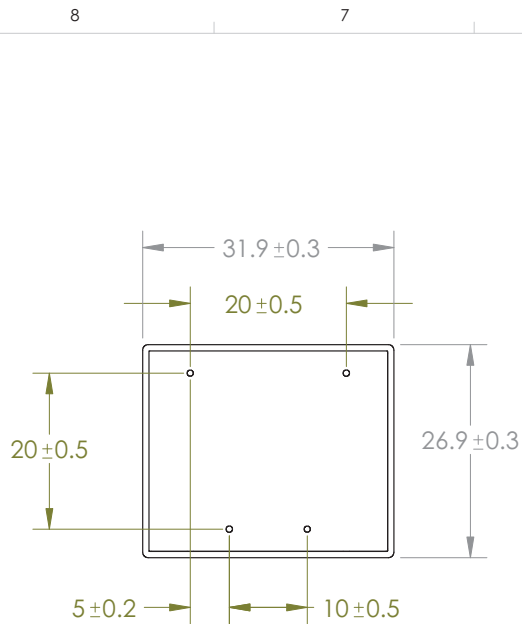


PROPRIETARY AND CONFIDENTIAL
 THE INFORMATION CONTAINED IN THIS DRAWING IS THE SOLE PROPERTY OF MYRRA SAS. ANY REPRODUCTION IN PART OR AS A WHOLE WITHOUT THE WRITTEN PERMISSION OF MYRRA SAS IS PROHIBITED.

UNLESS OTHERWISE SPECIFIED:	
DIMENSIONS ARE IN MM	
TOLERANCES:	
FRACTIONAL ±	
ANGULAR: MACH ± BEND ±	
TWO PLACE DECIMAL ±	
THREE PLACE DECIMAL ±	
INTERPRET GEOMETRIC TOLERANCING PER:	
MATERIAL	
FINISH	
APPLICATION	DO NOT SCALE DRAWING

	NAME	DATE
DRAWN	JPM	14/09/12
CHECKED		
ENG APPR.		
MFG APPR.		
Q.A.		
COMMENTS:		

MYRRA SAS		
TITLE: One Output Regulated 47125 data sheet		
SIZE	DWG. NO.	REV
B	47125	
SCALE: 1:1	WEIGHT:	SHEET 1 OF 1



ONE OUPUT REGULATED SERIES	
MAIN INPUT VOLTAGE	100 up to 240VAC
INPUT VOLTAGE LIMITS	85 up to 265VAC
FREQUENCY	47 up to 440Hz
OUTPUT VOLTAGE	See table
POWER	See table
AMBIENT TEMPERATURE	See table
TEMPERATURE CLASS	Class B (130°C)
STORAGE TEMPERATURE	-40°C up to 85°C
OUTPUT VOLTAGE ACCURACY (100% LOAD)	± 2%
LINE OUTPUT VOLTAGE VARIATION	± 3%
LOAD OUPUT VOLTAGE VARIATION	± 0,5%
NO LOAD INPUT POWER	< 200mWatts
INPUT TO OUTPUT DIELECTRIC STRENGHT	4KVAC

INCORPORATED FUSE RESISTOR INPUT PROTECTION
SHORT CIRCUIT PROTECTION WHEN FAULT CONDITION
AUTOMATIC RESTART WHEN FAULT CONDITION REMOVED
AUTOMATIC THERMAL SHUTDOWN

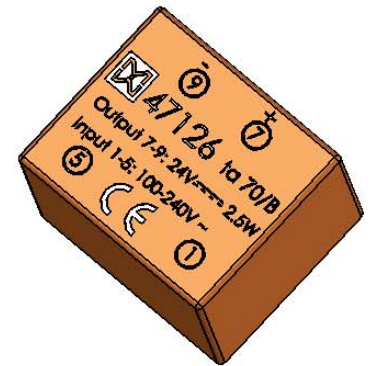
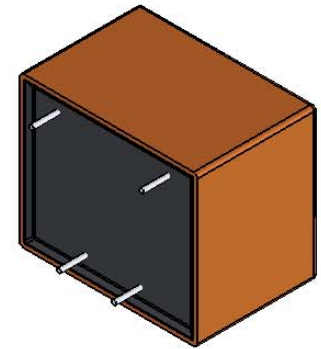
APPROVALS

EN61558-1
EN61558-2-16
EN60335
EN60925-2-11
UL60950 (UL+CUL)
CE

P/N	Output Voltage	Power	Efficiency %	Ambient (ta)
47126	24VDC	2,5W	77%	70°C

EMC CERTIFICATION

EMISSION	
EN55022	
EN55014-1	
IMMUNITY	
EN55024	
EN55014-2	
IEC61000-4-4	
IEC61000-4-5	



PROPRIETARY AND CONFIDENTIAL
 THE INFORMATION CONTAINED IN THIS DRAWING IS THE SOLE PROPERTY OF MYRRA SAS. ANY REPRODUCTION IN PART OR AS A WHOLE WITHOUT THE WRITTEN PERMISSION OF MYRRA SAS IS PROHIBITED.

UNLESS OTHERWISE SPECIFIED:		NAME	DATE
DIMENSIONS ARE IN MM	DRAWN	JPM	14/09/12
TOLERANCES:	CHECKED		
FRACTIONAL ±	ENG APPR.		
ANGULAR: MACH ± BEND ±	MFG APPR.		
TWO PLACE DECIMAL ±	Q.A.		
THREE PLACE DECIMAL ±	COMMENTS:		
INTERPRET GEOMETRIC TOLERANCING PER:			
MATERIAL			
FINISH			
NEXT ASSY	USED ON		
APPLICATION	DO NOT SCALE DRAWING		

MYRRA SAS

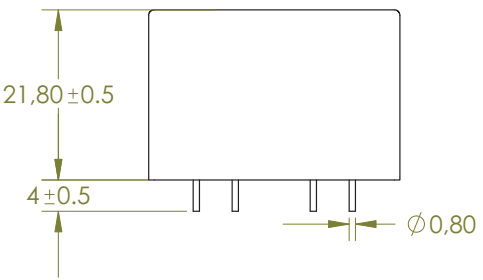
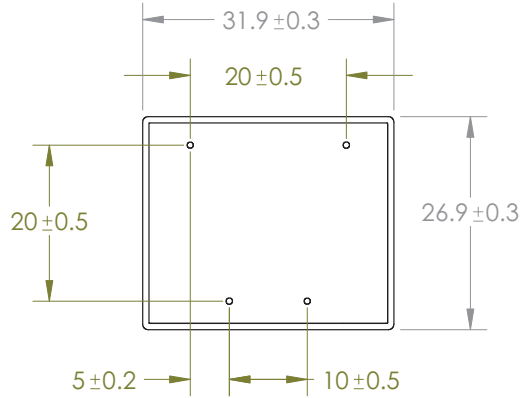
Title:
 One Output Regulated
 47126
 data sheet

SIZE	DWG. NO.	REV
B	47126	

SCALE: 1:1 WEIGHT: SHEET 1 OF 1

8 7 6 5 4 3 2 1

D C B A



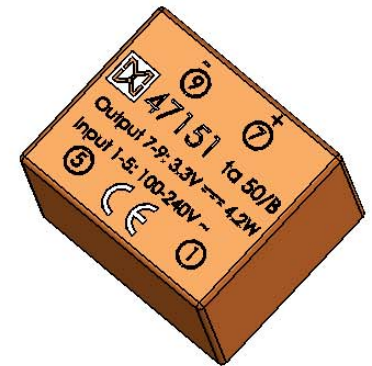
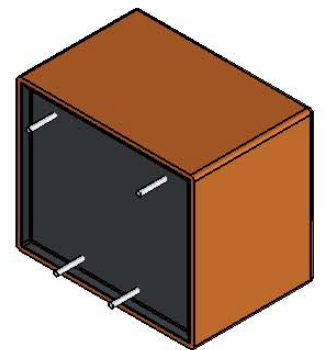
ONE OUPUT REGULATED SERIES	
MAIN INPUT VOLTAGE	100 up to 240VAC
INPUT VOLTAGE LIMITS	85 up to 265VAC
FREQUENCY	47 up to 440Hz
OUTPUT VOLTAGE	See table
POWER	See table
AMBIENT TEMPERATURE	See table
TEMPERATURE CLASS	Class B (130°C)
STORAGE TEMPERATURE	-40°C up to 85°C
OUTPUT VOLTAGE ACCURACY (100% LOAD)	± 2%
LINE OUTPUT VOLTAGE VARIATION	± 3%
LOAD OUPUT VOLTAGE VARIATION	± 0,5%
NO LOAD INPUT POWER	< 200mWatts
INPUT TO OUTPUT DIELECTRIC STRENGHT	4KVAC

INCORPORATED FUSE RESISTOR INPUT PROTECTION
SHORT CIRCUIT PROTECTION WHEN FAULT CONDITION
AUTOMATIC RESTART WHEN FAULT CONDITION REMOVED
AUTOMATIC THERMAL SHUTDOWN

APPROVALS	
EN61558-1	
EN61558-2-16	
EN60335	
EN60925-2-11	
UL60950 (UL+CUL)	
CE	

P/N	Output Voltage	Power	Efficiency %	Ambient (ta)
47151	3,3VDC	4,2W	65%	50°C

EMC CERTIFICATION	
EMISSION	
EN55022	
EN55014-1	
IMMUNITY	
EN55024	
EN55014-2	
IEC61000-4-4	
IEC61000-4-5	



PROPRIETARY AND CONFIDENTIAL
 THE INFORMATION CONTAINED IN THIS DRAWING IS THE SOLE PROPERTY OF MYRRA SAS. ANY REPRODUCTION IN PART OR AS A WHOLE WITHOUT THE WRITTEN PERMISSION OF MYRRA SAS IS PROHIBITED.

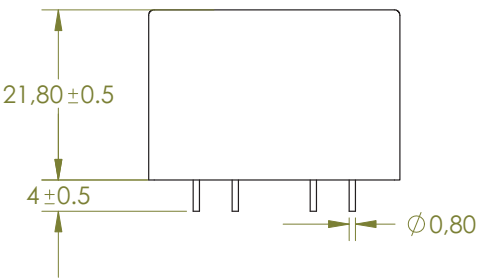
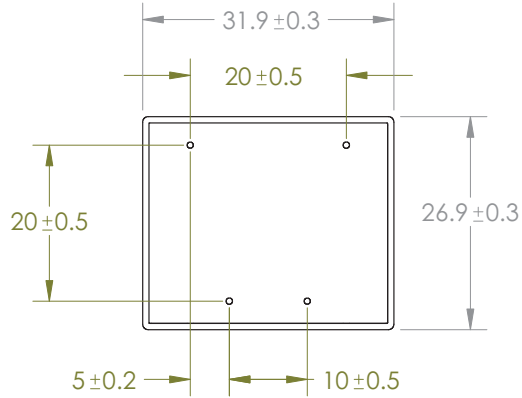
UNLESS OTHERWISE SPECIFIED:		NAME	DATE
DIMENSIONS ARE IN MM		DRAWN	JPM 14/09/12
TOLERANCES:		CHECKED	
FRACTIONAL ±		ENG APPR.	
ANGULAR: MACH ± BEND ±		MFG APPR.	
TWO PLACE DECIMAL ±		Q.A.	
THREE PLACE DECIMAL ±		COMMENTS:	
INTERPRET GEOMETRIC TOLERANCING PER:			
MATERIAL			
FINISH			
NEXT ASSY	USED ON		
APPLICATION	DO NOT SCALE DRAWING		

MYRRA SAS		
TITLE: One Output Regulated 47151 data sheet		
SIZE	DWG. NO.	REV
B	47151	
SCALE: 1:1	WEIGHT:	SHEET 1 OF 1

8 7 6 5 4 3 2 1

8 7 6 5 4 3 2 1

D C B A



ONE OUPUT REGULATED SERIES	
MAIN INPUT VOLTAGE	100 up to 240VAC
INPUT VOLTAGE LIMITS	85 up to 265VAC
FREQUENCY	47 up to 440Hz
OUTPUT VOLTAGE	See table
POWER	See table
AMBIENT TEMPERATURE	See table
TEMPERATURE CLASS	Class B (130°C)
STORAGE TEMPERATURE	-40°C up to 85°C
OUTPUT VOLTAGE ACCURACY (100% LOAD)	± 2%
LINE OUTPUT VOLTAGE VARIATION	± 3%
LOAD OUPUT VOLTAGE VARIATION	± 0,5%
NO LOAD INPUT POWER	< 200mWatts
INPUT TO OUTPUT DIELECTRIC STRENGHT	4KVAC

INCORPORATED FUSE RESISTOR INPUT PROTECTION
SHORT CIRCUIT PROTECTION WHEN FAULT CONDITION
AUTOMATIC RESTART WHEN FAULT CONDITION REMOVED
AUTOMATIC THERMAL SHUTDOWN

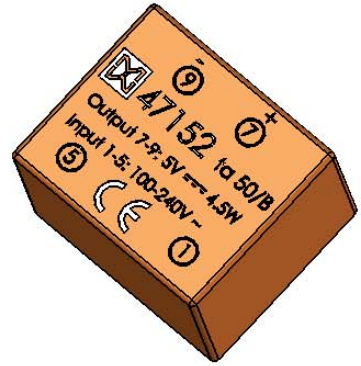
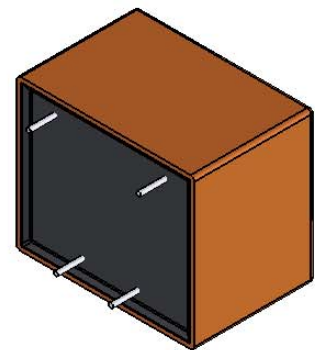
APPROVALS

EN61558-1
EN61558-2-16
EN60335
EN60925-2-11
UL60950 (UL+CUL)
CE

EMC CERTIFICATION

EMISSION	
EN55022	
EN55014-1	
IMMUNITY	
EN55024	
EN55014-2	
IEC61000-4-4	
IEC61000-4-5	

P/N	Output Voltage	Power	Efficiency %	Ambient (ta)
47152	5VDC	5W	68%	50°C



PROPRIETARY AND CONFIDENTIAL
 THE INFORMATION CONTAINED IN THIS DRAWING IS THE SOLE PROPERTY OF MYRRA SAS. ANY REPRODUCTION IN PART OR AS A WHOLE WITHOUT THE WRITTEN PERMISSION OF MYRRA SAS IS PROHIBITED.

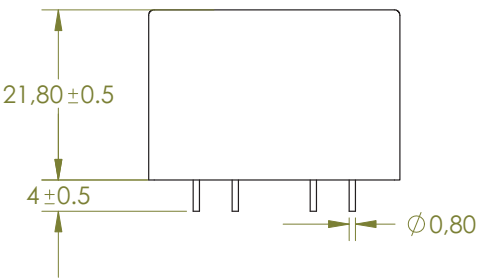
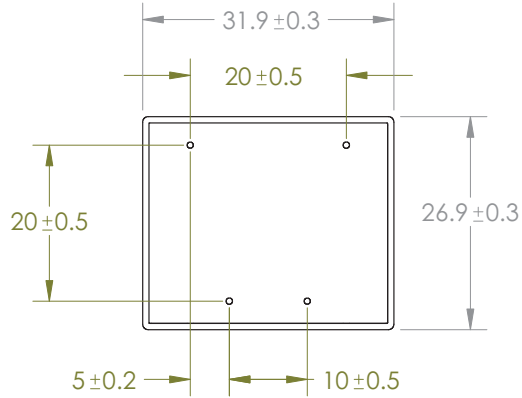
UNLESS OTHERWISE SPECIFIED:		NAME	DATE
DIMENSIONS ARE IN MM		DRAWN	JPM 14/09/12
TOLERANCES:		CHECKED	
FRACTIONAL ±		ENG APPR.	
ANGULAR: MACH ± BEND ±		MFG APPR.	
TWO PLACE DECIMAL ±		Q.A.	
THREE PLACE DECIMAL ±		COMMENTS:	
INTERPRET GEOMETRIC TOLERANCING PER:			
MATERIAL			
FINISH			
NEXT ASSY	USED ON		
APPLICATION	DO NOT SCALE DRAWING		

MYRRA SAS		
TITLE: One Output Regulated 47152 data sheet		
SIZE	DWG. NO.	REV
B	47152	
SCALE: 1:1	WEIGHT:	SHEET 1 OF 1

8 7 6 5 4 3 2 1

8 7 6 5 4 3 2 1

D
C
B
A



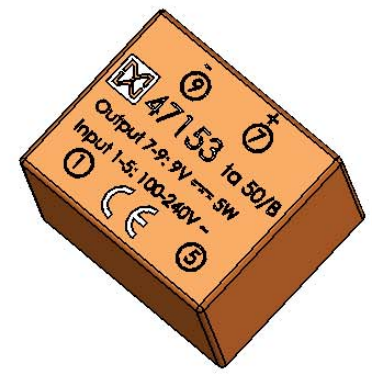
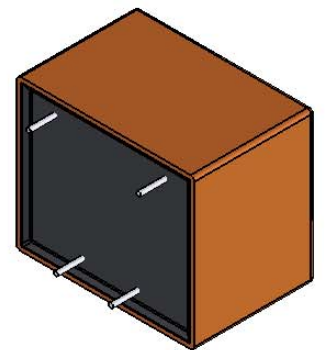
ONE OUPUT REGULATED SERIES	
MAIN INPUT VOLTAGE	100 up to 240VAC
INPUT VOLTAGE LIMITS	85 up to 265VAC
FREQUENCY	47 up to 440Hz
OUTPUT VOLTAGE	See table
POWER	See table
AMBIENT TEMPERATURE	See table
TEMPERATURE CLASS	Class B (130°C)
STORAGE TEMPERATURE	-40°C up to 85°C
OUTPUT VOLTAGE ACCURACY (100% LOAD)	± 2%
LINE OUTPUT VOLTAGE VARIATION	± 3%
LOAD OUPUT VOLTAGE VARIATION	± 0,5%
NO LOAD INPUT POWER	< 200mWatts
INPUT TO OUTPUT DIELECTRIC STRENGHT	4KVAC

- INCORPORATED FUSE RESISTOR INPUT PROTECTION
- SHORT CIRCUIT PROTECTION WHEN FAULT CONDITION
- AUTOMATIC RESTART WHEN FAULT CONDITION REMOVED
- AUTOMATIC THERMAL SHUTDOWN

APPROVALS	
EN61558-1	
EN61558-2-16	
EN60335	
EN60925-2-11	
UL60950 (UL+CUL)	
CE	

P/N	Output Voltage	Power	Efficiency %	Ambient (ta)
47153	9VDC	5W	72%	50°C

EMC CERTIFICATION	
EMISSION	
EN55022	
EN55014-1	
IMMUNITY	
EN55024	
EN55014-2	
IEC61000-4-4	
IEC61000-4-5	



PROPRIETARY AND CONFIDENTIAL
 THE INFORMATION CONTAINED IN THIS DRAWING IS THE SOLE PROPERTY OF MYRRA SAS. ANY REPRODUCTION IN PART OR AS A WHOLE WITHOUT THE WRITTEN PERMISSION OF MYRRA SAS IS PROHIBITED.

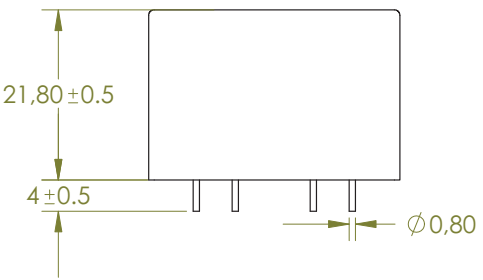
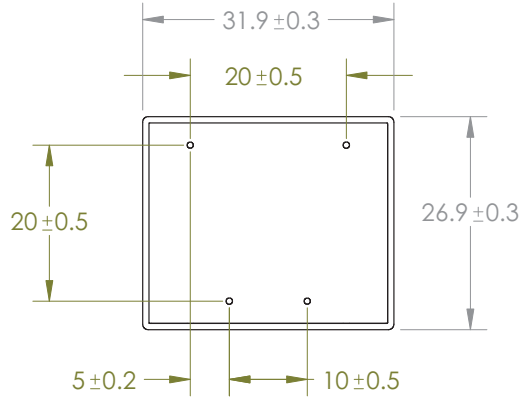
UNLESS OTHERWISE SPECIFIED:		NAME	DATE
DIMENSIONS ARE IN MM		DRAWN	JPM 14/09/12
TOLERANCES:		CHECKED	
FRACTIONAL ±		ENG APPR.	
ANGULAR: MACH ± BEND ±		MFG APPR.	
TWO PLACE DECIMAL ±		Q.A.	
THREE PLACE DECIMAL ±		COMMENTS:	
INTERPRET GEOMETRIC TOLERANCING PER:			
MATERIAL			
FINISH			
NEXT ASSY	USED ON		
APPLICATION	DO NOT SCALE DRAWING		

MYRRA SAS		
TITLE: One Output Regulated 47153 data sheet		
SIZE	DWG. NO.	REV
B	47153	
SCALE: 1:1	WEIGHT:	SHEET 1 OF 1

8 7 6 5 4 3 2 1

8 7 6 5 4 3 2 1

D C B A



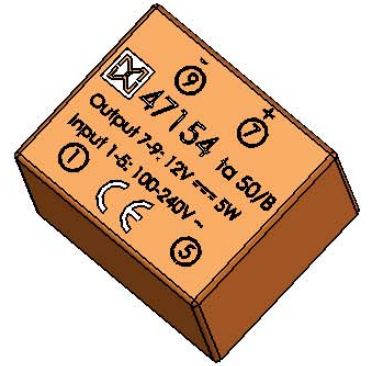
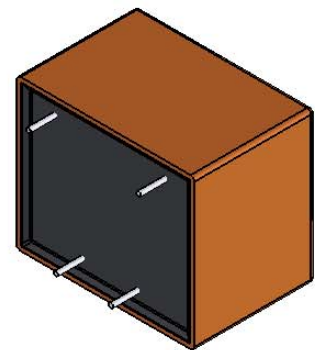
ONE OUPUT REGULATED SERIES	
MAIN INPUT VOLTAGE	100 up to 240VAC
INPUT VOLTAGE LIMITS	85 up to 265VAC
FREQUENCY	47 up to 440Hz
OUTPUT VOLTAGE	See table
POWER	See table
AMBIENT TEMPERATURE	See table
TEMPERATURE CLASS	Class B (130°C)
STORAGE TEMPERATURE	-40°C up to 85°C
OUTPUT VOLTAGE ACCURACY (100% LOAD)	± 2%
LINE OUTPUT VOLTAGE VARIATION	± 3%
LOAD OUPUT VOLTAGE VARIATION	± 0,5%
NO LOAD INPUT POWER	< 200mWatts
INPUT TO OUTPUT DIELECTRIC STRENGHT	4KVAC

INCORPORATED FUSE RESISTOR INPUT PROTECTION
SHORT CIRCUIT PROTECTION WHEN FAULT CONDITION
AUTOMATIC RESTART WHEN FAULT CONDITION REMOVED
AUTOMATIC THERMAL SHUTDOWN

APPROVALS	
EN61558-1	
EN61558-2-16	
EN60335	
EN60925-2-11	
UL60950 (UL+CUL)	
CE	

P/N	Output Voltage	Power	Efficiency %	Ambient (ta)
47154	12VDC	5W	75%	50°C

EMC CERTIFICATION	
EMISSION	
EN55022	
EN55014-1	
IMMUNITY	
EN55024	
EN55014-2	
IEC61000-4-4	
IEC61000-4-5	



PROPRIETARY AND CONFIDENTIAL
 THE INFORMATION CONTAINED IN THIS DRAWING IS THE SOLE PROPERTY OF MYRRA SAS. ANY REPRODUCTION IN PART OR AS A WHOLE WITHOUT THE WRITTEN PERMISSION OF MYRRA SAS IS PROHIBITED.

UNLESS OTHERWISE SPECIFIED:		NAME	DATE
DIMENSIONS ARE IN MM		DRAWN	JPM 14/09/12
TOLERANCES:		CHECKED	
FRACTIONAL ±		ENG APPR.	
ANGULAR: MACH ± BEND ±		MFG APPR.	
TWO PLACE DECIMAL ±		Q.A.	
THREE PLACE DECIMAL ±		COMMENTS:	
INTERPRET GEOMETRIC TOLERANCING PER:			
MATERIAL			
FINISH			
NEXT ASSY	USED ON		
APPLICATION	DO NOT SCALE DRAWING		

MYRRA SAS		
TITLE: One Output Regulated 47154 data sheet		
SIZE	DWG. NO.	REV
B	47154	
SCALE: 1:1	WEIGHT:	SHEET 1 OF 1

8 7 6 5 4 3 2 1

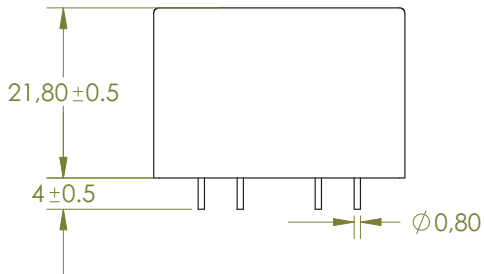
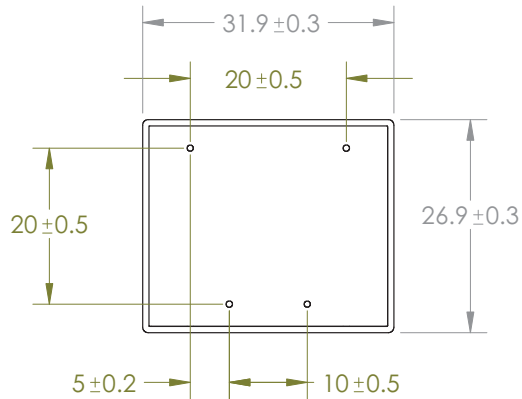
8 7 6 5 4 3 2 1

D

C

B

A



ONE OUPUT REGULATED SERIES	
MAIN INPUT VOLTAGE	100 up to 240VAC
INPUT VOLTAGE LIMITS	85 up to 265VAC
FREQUENCY	47 up to 440Hz
OUTPUT VOLTAGE	See table
POWER	See table
AMBIENT TEMPERATURE	See table
TEMPERATURE CLASS	Class B (130°C)
STORAGE TEMPERATURE	-40°C up to 85°C
OUTPUT VOLTAGE ACCURACY (100% LOAD)	± 2%
LINE OUTPUT VOLTAGE VARIATION	± 3%
LOAD OUPUT VOLTAGE VARIATION	± 0,5%
NO LOAD INPUT POWER	< 200mWatts
INPUT TO OUTPUT DIELECTRIC STRENGHT	4KVAC

INCORPORATED FUSE RESISTOR INPUT PROTECTION
SHORT CIRCUIT PROTECTION WHEN FAULT CONDITION
AUTOMATIC RESTART WHEN FAULT CONDITION REMOVED
AUTOMATIC THERMAL SHUTDOWN

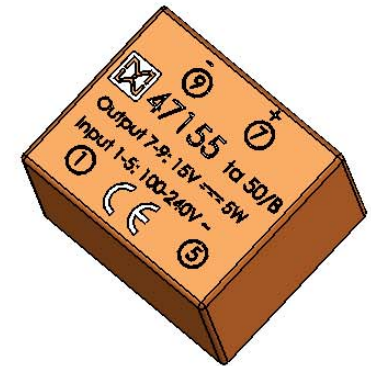
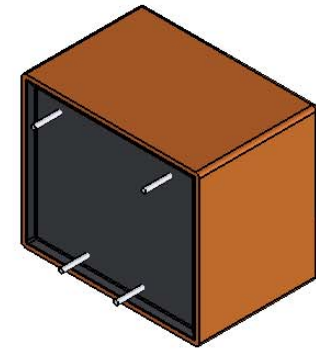
APPROVALS

EN61558-1
EN61558-2-16
EN60335
EN60925-2-11
UL60950 (UL+CUL)
CE

EMC CERTIFICATION

EMISSION	
EN55022	
EN55014-1	
IMMUNITY	
EN55024	
EN55014-2	
IEC61000-4-4	
IEC61000-4-5	

P/N	Output Voltage	Power	Efficiency %	Ambient (ta)
47155	15VDC	5W	76%	50°C



PROPRIETARY AND CONFIDENTIAL
 THE INFORMATION CONTAINED IN THIS DRAWING IS THE SOLE PROPERTY OF MYRRA SAS. ANY REPRODUCTION IN PART OR AS A WHOLE WITHOUT THE WRITTEN PERMISSION OF MYRRA SAS IS PROHIBITED.

UNLESS OTHERWISE SPECIFIED:		NAME	DATE
DIMENSIONS ARE IN MM		DRAWN	JPM 14/09/12
TOLERANCES:		CHECKED	
FRACTIONAL ±		ENG APPR.	
ANGULAR: MACH ± BEND ±		MFG APPR.	
TWO PLACE DECIMAL ±		Q.A.	
THREE PLACE DECIMAL ±		COMMENTS:	
INTERPRET GEOMETRIC TOLERANCING PER:			
MATERIAL			
FINISH			
NEXT ASSY	USED ON		
APPLICATION	DO NOT SCALE DRAWING		

MYRRA SAS

TITLE:
 One Output Regulated
 47155
 data sheet

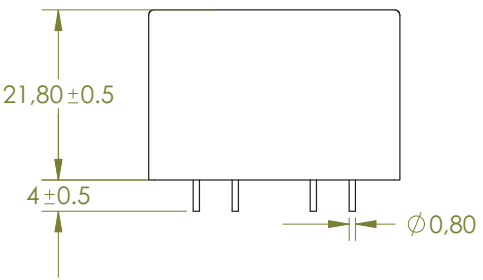
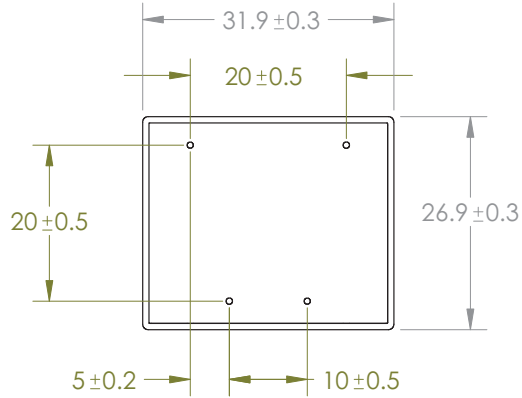
SIZE DWG. NO. REV
B 47155

SCALE: 1:1 WEIGHT: SHEET 1 OF 1

8 7 6 5 4 3 2 1

8 7 6 5 4 3 2 1

D C B A



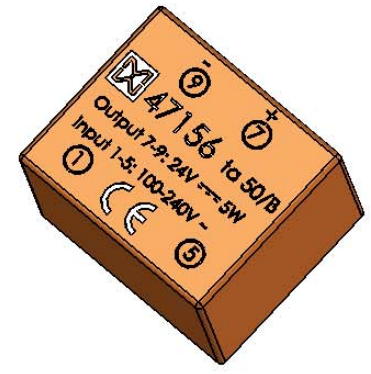
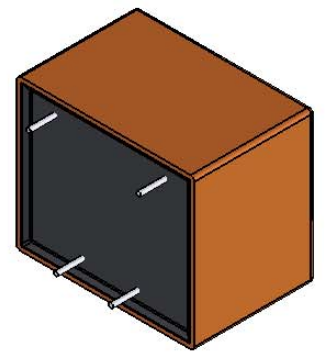
ONE OUPUT REGULATED SERIES	
MAIN INPUT VOLTAGE	100 up to 240VAC
INPUT VOLTAGE LIMITS	85 up to 265VAC
FREQUENCY	47 up to 440Hz
OUTPUT VOLTAGE	See table
POWER	See table
AMBIENT TEMPERATURE	See table
TEMPERATURE CLASS	Class B (130°C)
STORAGE TEMPERATURE	-40°C up to 85°C
OUTPUT VOLTAGE ACCURACY (100% LOAD)	± 2%
LINE OUTPUT VOLTAGE VARIATION	± 3%
LOAD OUPUT VOLTAGE VARIATION	± 0,5%
NO LOAD INPUT POWER	< 200mWatts
INPUT TO OUTPUT DIELECTRIC STRENGHT	4KVAC

INCORPORATED FUSE RESISTOR INPUT PROTECTION
SHORT CIRCUIT PROTECTION WHEN FAULT CONDITION
AUTOMATIC RESTART WHEN FAULT CONDITION REMOVED
AUTOMATIC THERMAL SHUTDOWN

APPROVALS	
EN61558-1	
EN61558-2-16	
EN60335	
EN60925-2-11	
UL60950 (UL+CUL)	
CE	

P/N	Output Voltage	Power	Efficiency %	Ambient (ta)
47156	24VDC	5W	79%	50°C

EMC CERTIFICATION	
EMISSION	
EN55022	
EN55014-1	
IMMUNITY	
EN55024	
EN55014-2	
IEC61000-4-4	
IEC61000-4-5	



PROPRIETARY AND CONFIDENTIAL
 THE INFORMATION CONTAINED IN THIS DRAWING IS THE SOLE PROPERTY OF MYRRA SAS. ANY REPRODUCTION IN PART OR AS A WHOLE WITHOUT THE WRITTEN PERMISSION OF MYRRA SAS IS PROHIBITED.

UNLESS OTHERWISE SPECIFIED:		NAME	DATE
DIMENSIONS ARE IN MM		DRAWN	JPM 14/09/12
TOLERANCES:		CHECKED	
FRACTIONAL ±		ENG APPR.	
ANGULAR: MACH ± BEND ±		MFG APPR.	
TWO PLACE DECIMAL ±		Q.A.	
THREE PLACE DECIMAL ±		COMMENTS:	
INTERPRET GEOMETRIC TOLERANCING PER:			
MATERIAL			
FINISH			
NEXT ASSY	USED ON		
APPLICATION	DO NOT SCALE DRAWING		

MYRRA SAS		
TITLE: One Output Regulated 47156 data sheet		
SIZE	DWG. NO.	REV
B	47156	
SCALE: 1:1	WEIGHT:	SHEET 1 OF 1

8 7 6 5 4 3 2 1